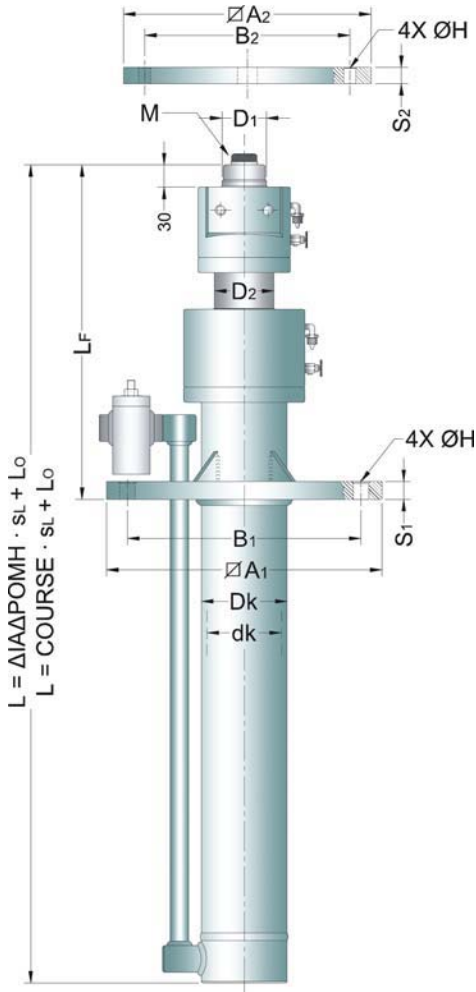




Telescopic hydraulic cylinders series YF.2



| TYPE | YF.2 | | | | | | | |
|------|------|----|-----|-----|-----|-----|-----|-----|
| | 75 | 85 | 100 | 120 | 140 | 160 | 180 | 200 |

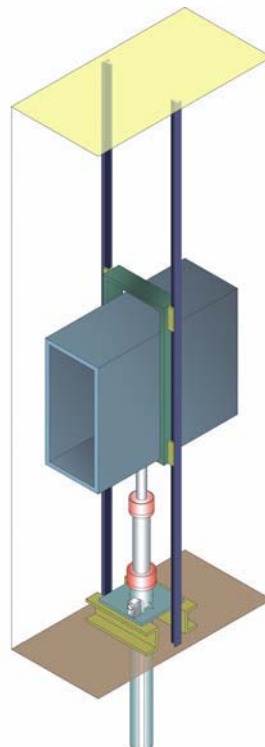
DIMENSIONS (mm)

| | | | | | | | | |
|----------------|-----|--------|-----|--------|--------|--------|--------|-----|
| L ₀ | 437 | 437 | 449 | 459 | 471 | 491 | 501 | 506 |
| S _L | 0,5 | 0,5181 | 0,5 | 0,5114 | 0,4907 | 0,5006 | 0,5082 | 0,5 |
| L _F | 438 | 448 | 473 | 498 | 525 | 550 | 575 | 585 |
| D ₁ | 45 | 50 | 60 | 75 | 85 | 100 | 115 | 120 |
| D ₂ | 60 | 70 | 80 | 95 | 110 | 125 | 140 | 160 |
| D _k | 90 | 100 | 115 | 135 | 160 | 180 | 200 | 220 |
| dk | 75 | 85 | 100 | 120 | 140 | 160 | 180 | 200 |
| A ₁ | 300 | 330 | 360 | 390 | 420 | 450 | 480 | 520 |
| B ₁ | 240 | 270 | 300 | 330 | 360 | 390 | 420 | 460 |
| S ₁ | 20 | 20 | 23 | 28 | 33 | 38 | 43 | 48 |
| H | 16 | 16 | 18 | 20 | 22 | 24 | 26 | 26 |
| A ₂ | 280 | 300 | 330 | 360 | 390 | 420 | 450 | 480 |
| B ₂ | 220 | 240 | 270 | 300 | 330 | 360 | 390 | 420 |
| S ₂ | 20 | 20 | 23 | 25 | 30 | 35 | 40 | 45 |
| M | 20 | 20 | 20 | 24 | 24 | 27 | 30 | 30 |

TECHNICAL CHARACTERISTICS

| | | | | | | | | |
|-----------------|-----|-----|-----|-----|-----|-----|-----|-----|
| Max. Load (tn) | 1,3 | 1,7 | 2,3 | 3,5 | 4,6 | 6,1 | 7,9 | 9,5 |
| Max. Pres (Mpa) | 6,3 | 6,3 | 6,3 | 6,3 | 6,3 | 6,3 | 6,3 | 6,3 |

Central direct one cylinder



Central direct two cylinder

